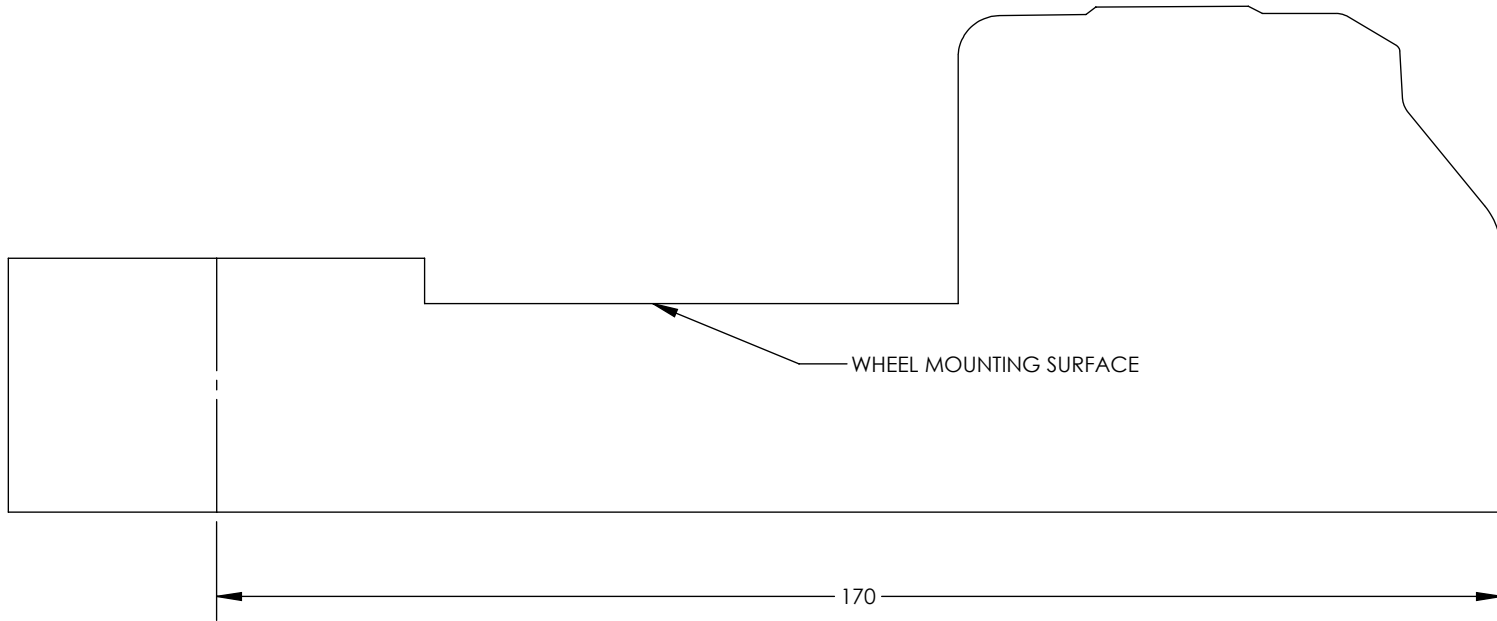


SUPERMIATA



Print this page.
Measure 170mm line.
Adjust printer settings and reprint until line measures 170mm.
Cut out template.
Attach template to a stiff material.
Cut template out again.
Use template to sweep the inside of the wheel.
Check for clearance. 3mm or more is optimal.